

Features

- Various switchable pressure units.
- Non-polar Input: No need to differentiate the negative or positive input voltage sourcing lead.
- Built-in buzzer with sound-light alarm, field programmable alarm pressure value.
- RS-485 communication, support ModBus RTU protocol
- Housing made of FR-ABS, satisfactory impact resistance and heat resistance etc.
- The Max.and Min.pressure range of discrete output can be set.



Description

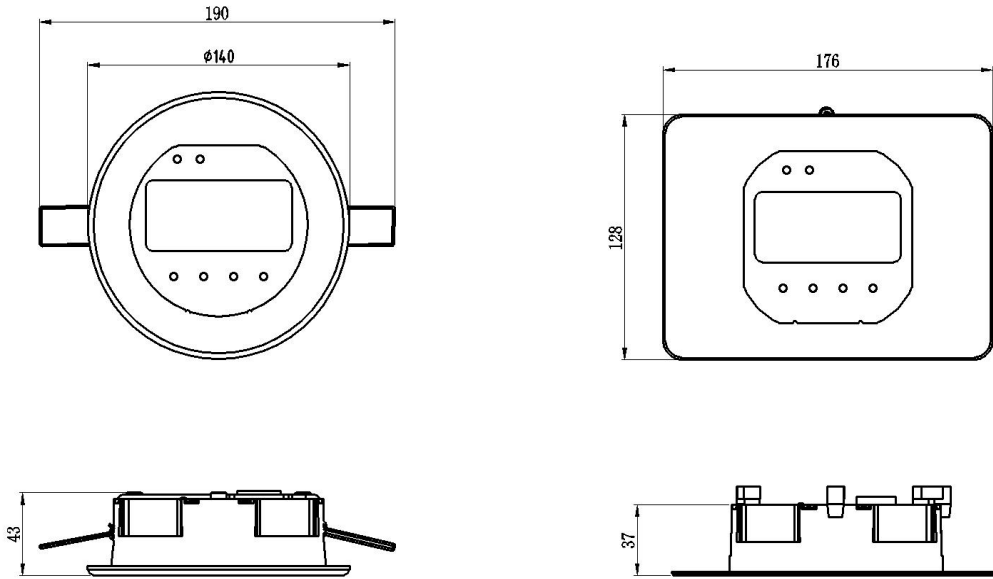
LFM3 series differential pressure gauge adopts imported high-precision sensor and digital technology, easy to install with LCD and accurate reading. Suitable for measuring pressure of fan, blower, filter resistance, wind speed, furnace ventilation, orifice, medical equipment. Optional switch output type relay or NPN or PNP version, which suitable for users flexible external control of other equipment. RS-485 network communication can read the current pressure value of the target device in real time, with 0~5VDC, 0~10VDC or 4~20mA output (Signal voltage or current three-wire output, or voltage, current three-wire output at the same time).

Specification

Measurement Range	±100Pa, ±1,000Pa, ±10,000Pa			
Accuracy	±1%F.S			
Measured Medium	Air and neutral gas			
Storage Temperature	-20°C~70°C			
Compensated Temperature	-10°C~60°C			
Protection Grade	IP54			
Output Signal	NPN Output	PNP Output	Relay Output	No Output
	0~5V	0~10V	4~20mA	RS485
Power Supply	12~30VDC/ Built-in 9V Battery (6F22 Battery) (Only suitable for the series of no output)			
Consumption	≤0.75W			
Pressure Connection	Plastic concave interface			
Housing Material	ABS industrial plastics (UL94-V0)			
Certification	ROHS,EU CE			
Electromagnetic compatibility	Electromagnetic transmit: EN50081-1/-2 Electromagnetic sensitivity: EN50082-2			
Lightning protection	Air conduction withstand voltage 8000V, shell and cable conduction withstand voltage 4000V (customized)			
Display mode	80*40mm LCD display			
Weight	328g (include battery)			

LFM3 Differential Pressure Transmitter **LEFOO** 力夫

Dimension in:mm



Order Ref NO

Code and Description						Remark
LFM3						Model
0	Switch semaphore output					Output Signal
1	Analog output (silent light alarm)					
6	-100~100pa					Measurement Range
0	-1000~1000Pa					
2	-10000~10000Pa					
Switch semaphore		Analog output				Output Mode
W	No Output	A	4~20mA & 0~5V/10V	E	RS-485	
R	Relay Output	B	4~20mA	F	0~10V & RS-485	
N	NPN Output	C	0~10V	G	0~5V & RS-485	
P	PNP Output	D	0~5V	H	4~20mA & RS-485	
		P	Plastic panel (round)			Installation Panel
		S	Stainless steel panel (square)			
		F	Front panel air intake			Air Intake Method
		B	Rear panel air intake			

LFM3	0	0	B	P	B	Selection Example
------	---	---	---	---	---	-------------------