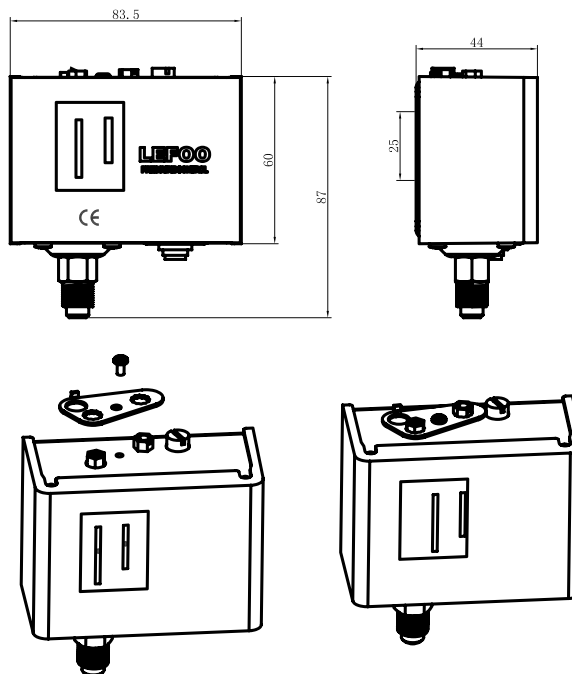


LF55

Pressure switch for refrigeration system

LEFOO

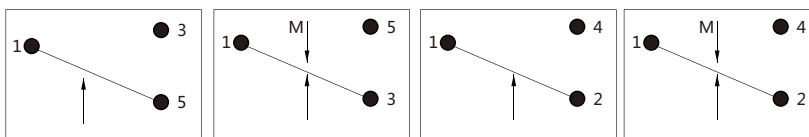


Dimension in:mm

LF55 Series pressure switches are used to control the pressure of compressor in refrigerant system, also available in air or water fluid. This series have quite stable performance with internal micro-switch structure. Standard mounting bracket are provided

Contact Function

Arrow means the direction of pressure increasing, M means hand reset



Electrical Function

| Rated Amps.(A)\Rated Voltage(V) | 125VAC | 250VAC | 24VDC |
|---------------------------------|-----------|--------|-------|
| Full Load | 20A | 10A | 8A |
| Locked Rotor | 72A | 72A | 64A |
| Temperature | -20~110°C | | |

Specification

| Model | Range(bar) | | Differential (bar) | | Factory Setting(bar) | | Max Operating Pressure(bar) |
|---------|------------|-----|--------------------------|-----|----------------------|--------------|-----------------------------|
| | Min | Max | Min | Max | OFF | ON | |
| LF5502 | -0.5 | 2 | 0.2 | 0.7 | 1 | 0.5 | 16.5 |
| LF5503 | -0.5 | 3 | 0.35 | 1.5 | 2 | 1 | 16.5 |
| LF5506 | -0.5 | 6 | 0.6 | 4 | 3 | 2 | 16.5 |
| LF5506M | -0.5 | 6 | Reset Differential ≤1bar | | 3 | Manual Reset | 16.5 |
| LF5508 | -0.2 | 7.5 | 0.7 | 4 | 3 | 2 | 20 |
| LF5510 | 1 | 10 | 1 | 3 | 6 | 5 | 16.5 |
| LF5514 | 2 | 14 | 1 | 4 | 10 | 8 | 20 |
| LF5516 | 3 | 16 | 1 | 4 | 10 | 8 | 35 |
| LF5520 | 5 | 20 | 2 | 5 | 16 | 13 | 35 |
| LF5530 | 8 | 30 | Fixed 3 to 5bar | | 20 | 15~17 | 35 |
| LF5530M | 8 | 30 | Reset Differential ≤4bar | | 20 | Manual Reset | 35 |
| LF5530D | 5 | 30 | 3 | 10 | 20 | 15 | 35 |
| LF5532 | 8 | 32 | 2 | 6 | 20 | 17 | 35 |
| LF5542 | 8 | 42 | 4 | 10 | 30 | 25 | 46.5 |

Conversion:1kgf/cm²=14.2psi 1psi=68.95mbar