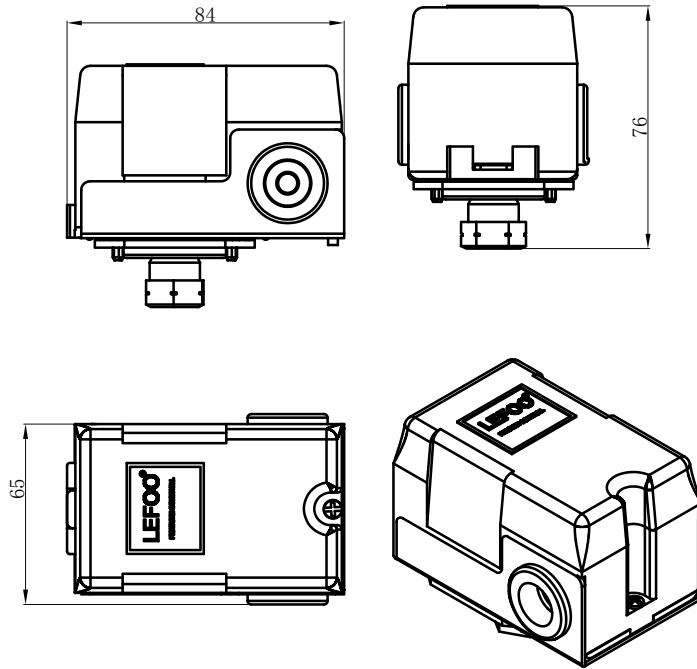


LF10-W

Pump pressure switch



Dimension in:mm

LF10-W series pressure switches provide time tested, reliable control for automatic water systems. The switch is universally acceptable for use as original equipment on water well pumps or pumping systems.

LF10-WS and LF10-WR Order Ref NO

LF10(A) -W(S or R) -1 1 1 -30-50psi

Contact Type: NC NO A B C Pressure setting: Cut in 35psi Cut off 50psi

Number	Connection Type		Connection Size
1	A single port	B female	C 1/4NPT
2	/	male	3/8NPT
3	/	/	R1/4
4	/	/	R3/8
5	/	/	G1/4
6	/	/	G3/8
7	/	/	NPT1/4 Long Male
8	/	/	G1/4 Bolt Connectin

Specification

Model	Media	Operating Pressure Range	Factory Setting	Differential	Electrical Rating	Contact Arrangement	Connection
LF10-WS (LF10A-WS)	Water	15-82psi	20-35psi	15-30psi	120VAC, 20A (120VAC, 26A) 240VAC, 12A (240VAC, 26A)	NC	1/4NPT Male or Female
	Water	30-100psi	30-50psi	20-35psi			
	Water	35-150psi	85-115psi	30-40psi			
LF10-WR (LF10A-WR)	Water	80-15psi	50-30psi	17-30psi	240VAC, 20A (120VAC, 26A) 240VAC, 12A (240VAC, 26A)	NO	1/4NPT Male or Female
	Water	100-30psi	100-75psi	25-30psi			
	Water	150-35psi	125-95psi	30-45psi			

Conversion: 1kgf/cm²=14.2psi 1bar=14.5psi Other connections are available on request.