

LFT710 Differential Pressure Transmitter

FEATURES

- High-precision pressure sensor using MEMS monocrystalline silicon
- Fast response time, high stability, measurement accuracy 0.075%FS
- The maximum range ratio can reach 100:1
- Adopt double overload protection technology, strong overload capacity, one-way pressure up to 10MPa
- Provide standard HART bus communication mode, perfect self-diagnosis and remote communication function
- High brightness LCD display with backlight, reversible local display screen
- Convenient in-place current loop calibration function
- In-place zeroing function, in-place zero point, full point setting and adjustment function
- RS-485 and 4~20mA HART two output modes



DESCRIPTION

LFT710 Differential Pressure Transmitter uses single crystal silicon sensor chip which adopts German advanced MEMS technology. It has built-in temperature compensation element and extremely high measurement accuracy and long-term stability over a wide range of static pressure and temperature variations. It can measure level, density, pressure of liquid gas and steam. It is widely used in industrial process control, automated manufacturing, aerospace automotive and marine petroleum and petrochemical, electronic power, medical and health and many other fields.

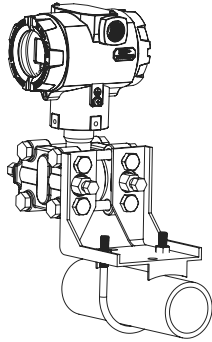
LFT710 can accurately measure differential pressure and convert it into 4-20 mA DC output signal and can be operated locally through three buttons, and remotely operated by a general-purpose communicator, configuration software, and mobile phone APP, to perform display and configuration adjustment without affecting the 4-20 mA DC output signal.

SPECIFICATION

Measurement range	6KPa、40KPa、250KPa、1MPa、3MPa		
Overload pressure	Single-sided overload pressure of 16MPa		
Static pressure	10MPa、16MPa、25MPa		
Accuracy	±0.075%F.S		
Stability	±0.2% of the upper range		
Operating temperature	-20~70°C with display		
Storage temperature	-40~85°C		
Media to be measured	Gas, liquid		
Diaphragm material	316L, Hastelloy C, Tantalum		
Electrical Performance	2-wire		4-wire
Output Signal	4~20mA	4~20mA HART	RS485
Power supply	12~36VDC	12~36VDC	12~36VDC
Electrical connection	M20*1.5 waterproof outlet wire, NPT1/2 waterproof outlet wire		
Enclosure protection level	IP65		
Pressure interface	H-type construction with NPT1/4 female thread on chamber flange, with pilot fitting, with waist flange		
Pressure type	Gauge pressure G		
Certification items	ExdIICT6、CE		

LEFOO

DIMENSION (mm)



Pipe Mounted
Horizontal Bracket

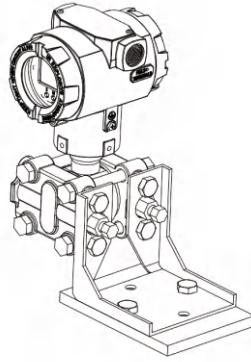
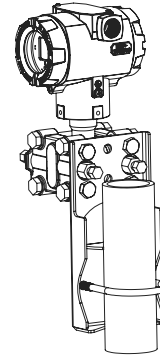
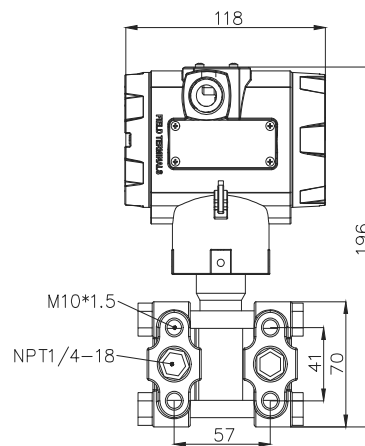
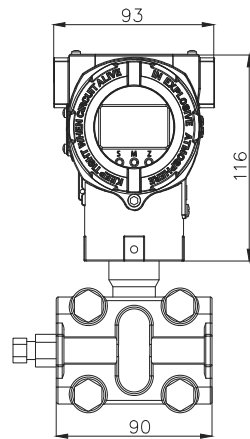


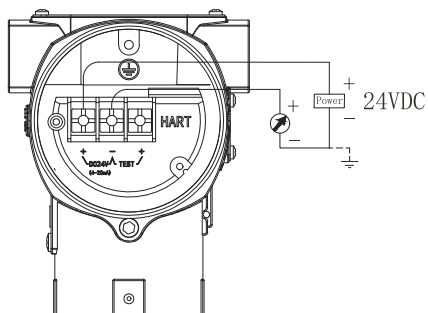
Plate Bending Bracket



Pipe Mounted
Vertical Bracket



ELECTRICAL CONNECTION



Note: The shortcut interface is functionally equivalent to the signal terminal.

ORDER REF NO.

Model and Specification Code Table											Provide fast delivery	
Model LFT710-DP												
1	Range	B	0-200Pa~6KPa(0-20~600mmH ₂ O)/(0-2~60mbar)								※	
		C	0-400Pa~40KPa(0-40~4000mmH ₂ O)/(0-4~400mbar)								※	
		D	0-2.5KPa~250KPa(0-0.25~25mH ₂ O)/(0-25~2500mbar)								※	
		E	0-10KPa~1MPa(0-1~100mH ₂ O)/(0-0.1~10bar)								※	
		F	0-30KPa~3MPa(0-3~300mH ₂ O)/(0-0.3~30bar)								※	
2	Diaphragm material	S	316L								※	
		H	Hastelloy C									
		T	Tantalum									
3	Filling fluid	D	Silicone oil								※	
4	Electrical connection	1	M20*1.5 Female, PVC								※	
		2	M20*1.5 Female, Stainless steel								※	
		3	1/2 NPT Female, PVC									
		4	1/2 NPT Female, Stainless steel									
5	Output	N	4~20mA								※	
		J	4~20mA+HART								※	
		F	RS485								※	
6	Process connector	N	Without(NPT 1/4 female thread on chamber flange)								※	
		A	Back welded connector and M20*1.5 male								※	
		B	Oval Flange connector: NPT1/2 Female								△	
		C	T type: M20*1.5 male and back welded connector								△	
7	Sealing ring	N	NBR								※	
		D	FKM								※	
		I	EPDM								※	
8	Mounting bracket	B1	Plate Bending Bracket(Carbon Steel)								※	
		B2	Tube Bending Bracket(Carbon Steel)								△	
		B3	Tube Flat Bracket(Carbon Steel)								△	
		B5	Plate Bending Bracket(Stainless steel)								△	
		B6	Tube Bending Bracket(Stainless steel)								△	
		B7	Tube Flat Bracket(Stainless steel)								△	
		N	Without								※	
9	Explosion-proof treatment	N	General								※	
		D	ExdIICt6									
10	Display	M5	With								※	
		N	Without								※	
11	Additional conditions	P	M20*1.5 male with welded connector									
		N	Connection parts is made of SS304,and SS316L is optional.									
		K	Degreasing cleaning treatment									
		L	Hanging number plate									
		H	Lightning protection (withstand transient voltage)									
		E	English Nameplate									
		V3	Three valve block									
V5	Five valve block											
LFT710-DP		C	S	D	1	J	A	D	B1	D	M5	
※ means shorter lead time. Without ※ means longer lead time. △ means need to customize.												