

FEATURES

- High-precision MEMS micro-pressure core, high precision and wide operating temperature range
- Clear LCD digital display
- Zero button available on-site, wind speed range adjustable
- Strong stability and long service life
- IP65 protection grade housing



DESCRIPTION

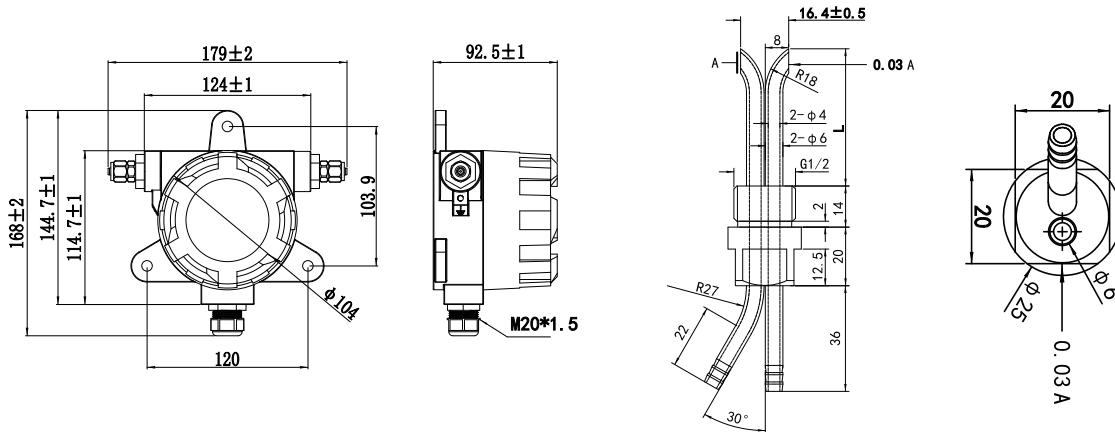
LFS71 Explosion-proof Air Velocity Transmitter is suitable for gas flow measurement in Explosion-proof environments. It can convert the flow rate of gas into an electrical signal and transmit it to the control system. The range can be adjusted on-site through buttons, and the IP65 protection grade casing is used. It is suitable for energy management systems, VAV and fan control, environmental pollution control, smoke hood control, oven and boiler ventilation control and other fields.

SPECIFICATION

Medium	Air or neutral gas
Range	Speed: 0~10 m/s, 0~20 m/s, 0~30 m/s, 0~40 m/s (Range can be customized.)
Over Voltage	10KPa
Accuracy	±3.0%FS(Speed > 3 m/s)
Operating temperature	Host machine: -20°C~80°C ; Probe: -40°C~450°C
Compensation Temperature	-10°C~60°C
Storage Temperature	Host machine: -40°C~85°C
Response Time	0.5s(default) /1.0s /2s /4s
Protection Grade	IP65
Pressure Connection	Stainless steel 1/2" quick connection
Signal output	4~20mA / 0~10VDC / RS485
Power Supply ①	12~30VDC / 24VAC ± 20%
Power Consumption	≤1.5W
Shell Material	Cast Aluminium
Communication	RS-485 standard interface, Modbus RTU protocol
Certificates	ROHS, CE
Explosion-Proof Grade	EXd IIC T6 Gb
Display	LCD digital display
Weight (Approximate)	Host machine: 1238g

①When the product is powered by AC power, it is recommended to use an isolated AC power supply.

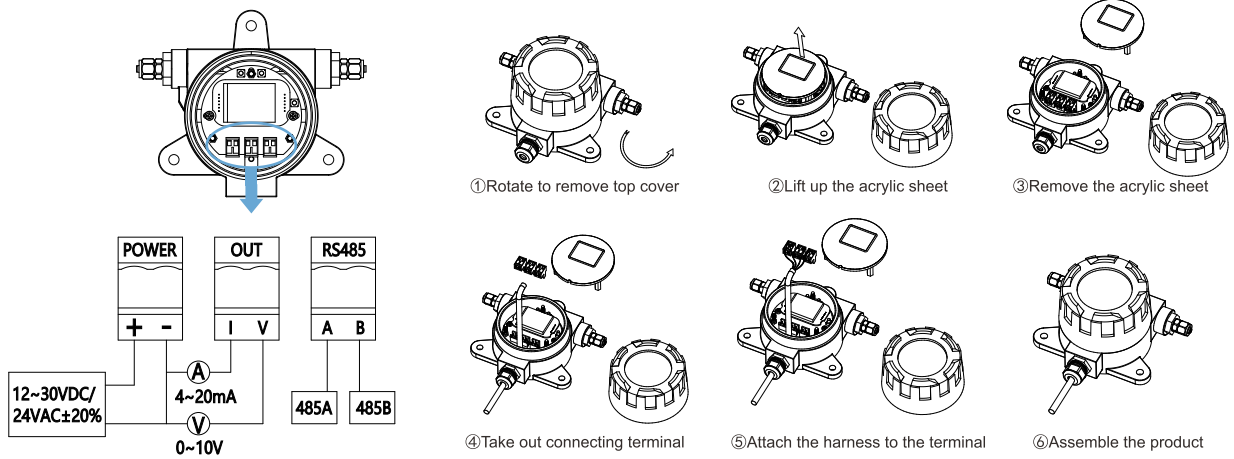
DIMENSION(mm)



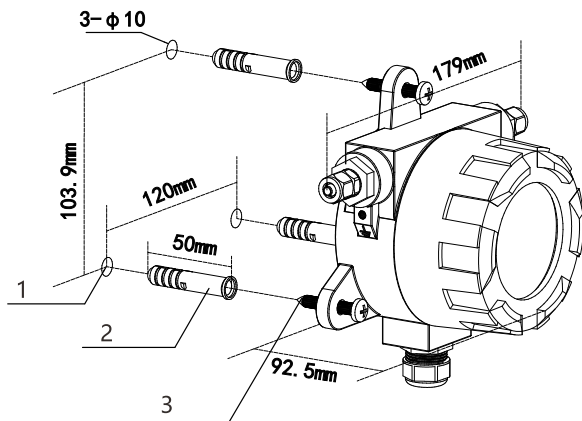
WIRING INSTRUCTION

Attention: Wiring should be operated by qualified technical personnel. When wiring, the transmitter must be disconnected from supplying power.

Specific operation steps for wiring:
(Note: Wire diameter D must meet: 7mm≤D≤12mm)



INSTALLATION METHOD



1. Drill
2. Embedding expansion pipes
3. Lock the product with screws

ORDER REF NO.

Code and Description		Remark
LFS71-		Model
1	0~10m/s	Air Velocity range
2	0~20m/s	
3	0~30m/s	
4	0~40m/s (L-type pitot tubes only)	
X	Customized	
A	4~20mA	Output Mode
B	0~10VDC	
C	RS-485	

LFS71-2A	Range: 0~20m/s, Output: 4~20mA	Example
----------	--------------------------------	---------